
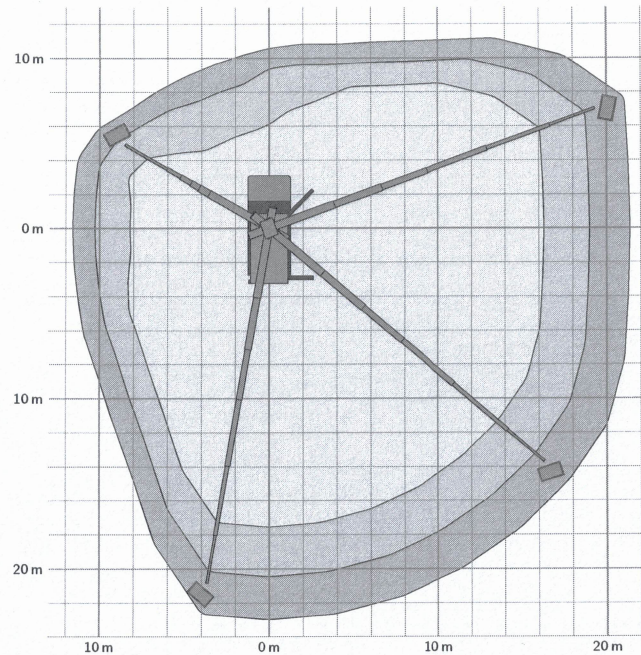
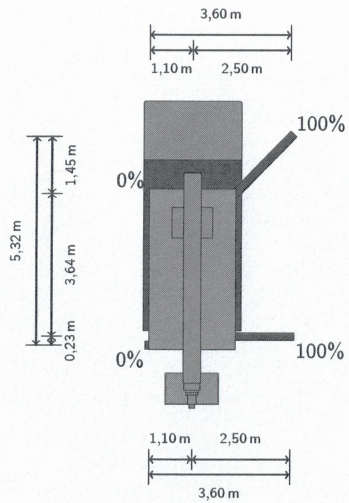
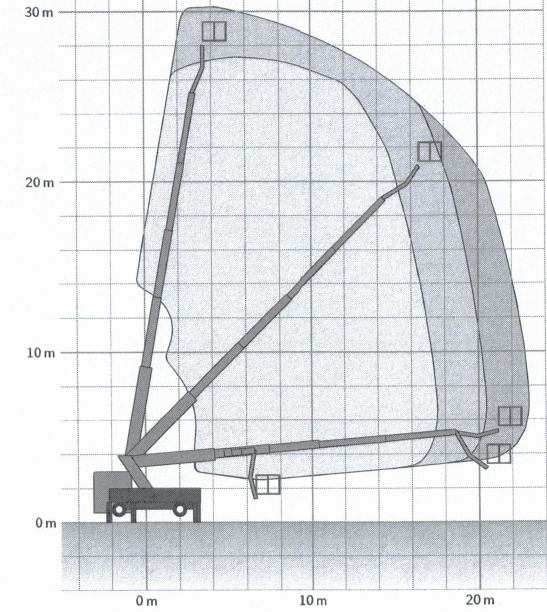
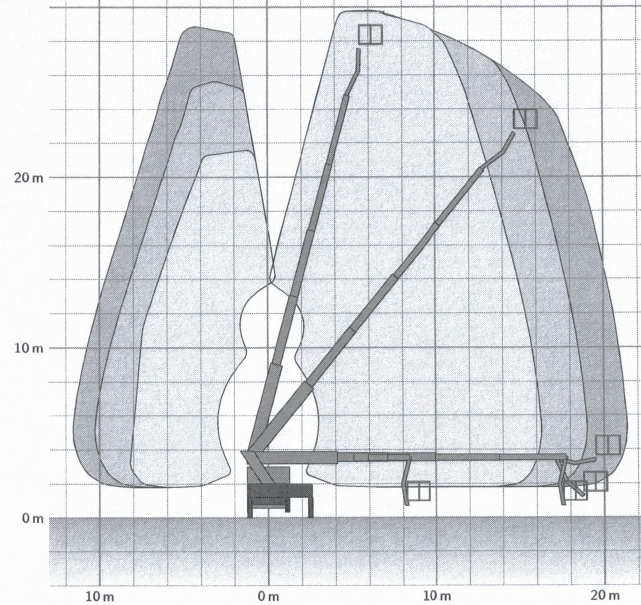
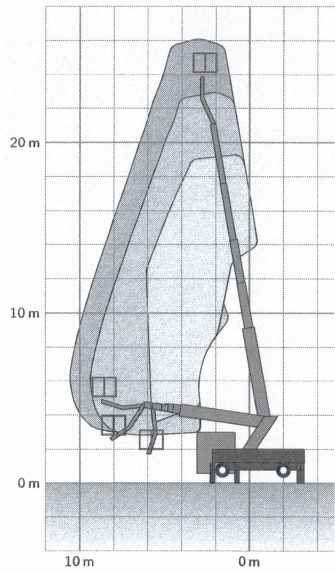

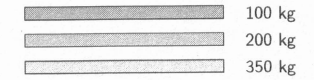
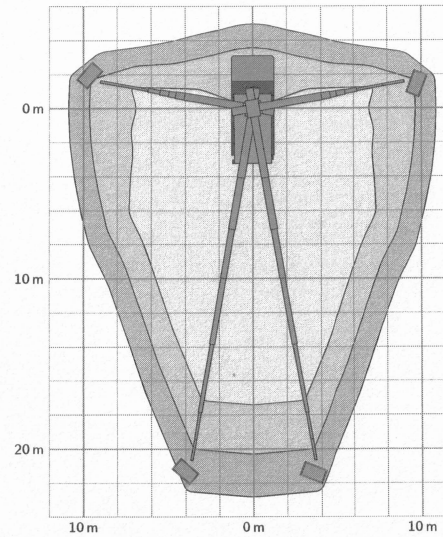
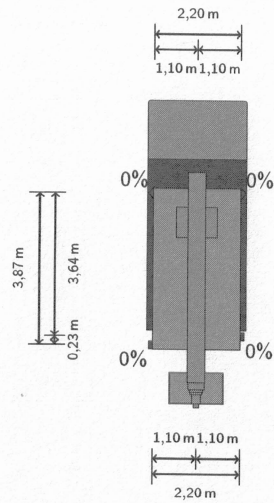
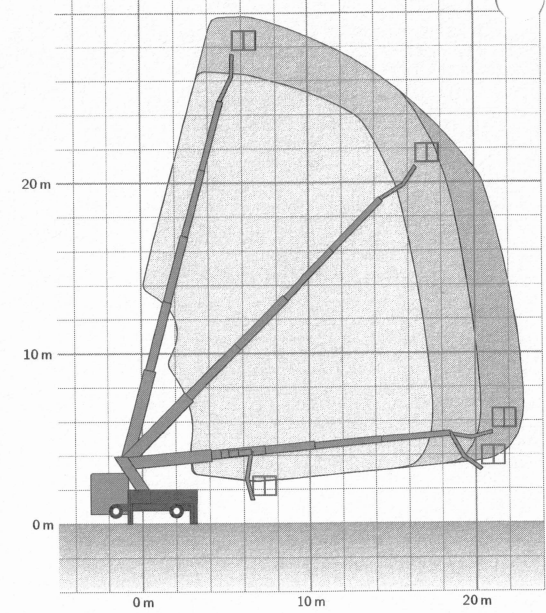
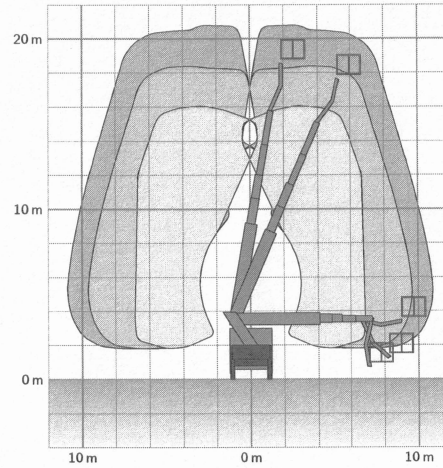
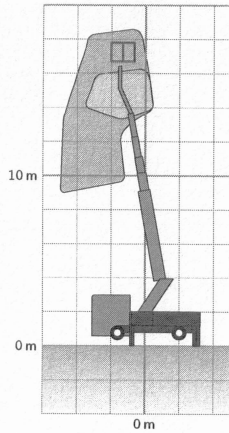


Slope = <math>\leq 1^\circ</math>		
All measures are approx!		
Alterations reserved!		
working cage 350 kg rated load		
Drawing Number		
0928586000		
Description		Scale
Working area (theoretical) <b>RUTHMANNSTEIGER® T 300.4</b>		1:300
Ruthmann GmbH & Co. KG Ruthmannstr. 4 48712 Gescher Germany		Sheet 1
 <b>RUTHMANN</b> professional. at work		No. Sheets 3
Date: 10th February 2021	Format: A3	TKM-mu



Slope = <math>\leq 1^\circ</math>		
All measures are approx!		
Alterations reserved!		
working cage 350 kg rated load		
Drawing Number		
0928586000		
Description		Scale
Working area (theoretical) <b>RUTHMANNSTEIGER® T 300.4</b>		1:300
Ruthmann GmbH & Co. KG Ruthmannstr. 4 48712 Gescher Germany		Sheet
 <b>RUTHMANN</b> professionals of work		2
		No. Sheets
		3
Date: 10th February 2021	Format: A3	TKM-mu



Slope = <math>\leq 1^\circ</math> All measures are approx! Alterations reserved!		
working cage 350 kg rated load		
Drawing Number		
<b>0928586000</b>		
Description	Scale	
Working area (theoretical) <b>RUTHMANNSTEIGER® T 300.4</b>	1:300	
Ruthmann GmbH & Co. KG Ruthmannstr. 4 48712 Gescher Germany	Sheet	3
	No. Sheets	3
Date: 10th February 2021	Format: A3	TKM-mu